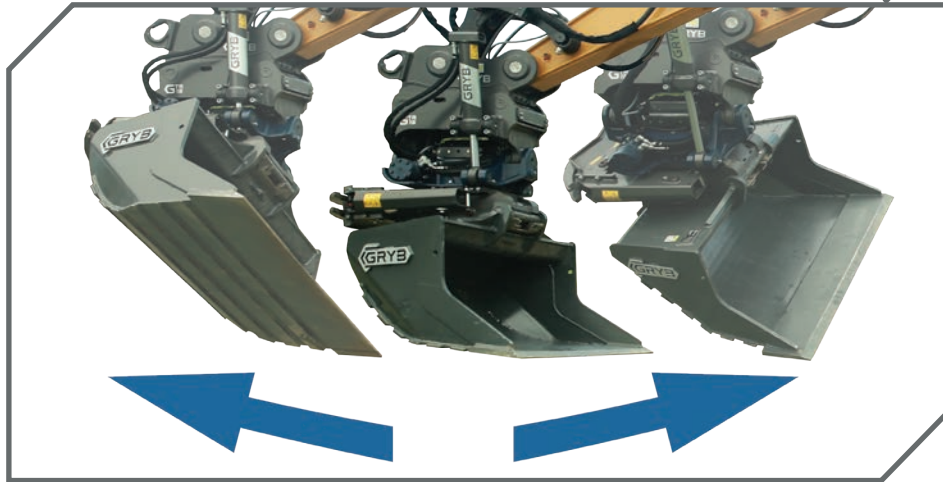




# GTR Tiltrotator

[gryb.com](http://gryb.com) | 1 844 604-1396 | [info@gryb.ca](mailto:info@gryb.ca)

# GRYB Tiltrotator



## Tilting 2 x 45°

The GTR dual cylinders allows a movement of up to 40 degrees on both sides greatly increasing the versatility of the attachment.

## MAC ST Control System

Control your attachment with unparalleled precision with dual joystick controls, graphic touchscreen, track and wheel steering and multiple user profiles.

## Centralized Lubrication System

Reduces number of lubrication points, can be connected to the excavators lubrication system (if available).

## Grease Filled Gear Housing

Enjoy reduced maintenance and improved performances with the grease filled gear housing

## Hardlock® Coupler

Switch attachments in a flash with the Hardlock® coupler that offers an added level of safety with double locking devices, standard rear locking and excentre locking system

## Infinite Rotation 360°

The tiltrotator offers you infinite possibilities. Turn your attachments any way to achieve results that are impossible without it.

## Optional Grip module

Increase your efficiency by adding the grip module to your tiltrotator. Move your buckets, small objects and other pieces of equipments.



Improve  
Productivity



Simplify Installation  
and Maintenance



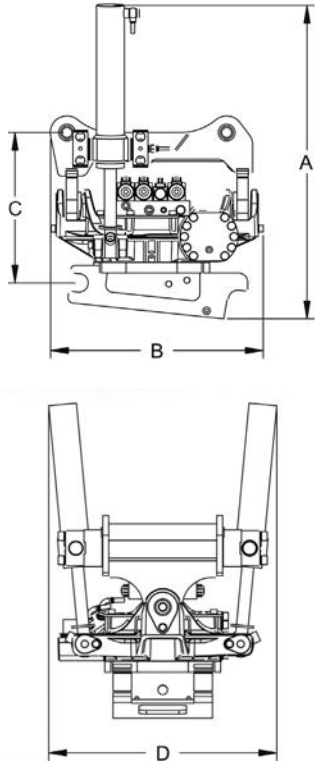
Improve Attachment  
Versatility







# Tiltrotator Specifications



**GTR04**

For 2 to 4 tons excavators

**Mounting - S40**



**GTR06**

For 3 to 6 tons excavators

**Mounting - S40**



**GTR10**

For 6 to 10 tons excavators

**Mounting - S45**

<b>Approx weight (lbs)</b>	216	331	518
<b>Dimensions A / B / C / D (in)</b>	28 / 18 / 13 / 17*	28 / 19 / 14 / 16*	34 / 23 / 17 / 24*
<b>Recommended max. oil flow (GPM)</b>	16	21	26
<b>Max. working pressure (psi)</b>	3,046	3,046	3,046
<b>Tilt torque (at 3000 psi, 21 Mpa) (lbs/ft)</b>	2,876	9,072	18,660
<b>Rotation speed (sec / rotation)</b>	7	7	7
<b>Turn Torque (lbs/ft)</b>	2,213	3,687	3,687
<b>Max. breakout torque (lb/ft)</b>	23,602	32,453	55,317
<b>Max. breakout force (lbs)</b>	8,992	11,241	15,737
<b>Recommended Maximum Bucket Width (in)</b>	42	52	56

\*Dimensions might vary depending on configuration and options



## GTR15

For 10 to 16 tons excavators

**Mounting - S60**



## GTR18

For 14 to 18 tons excavators

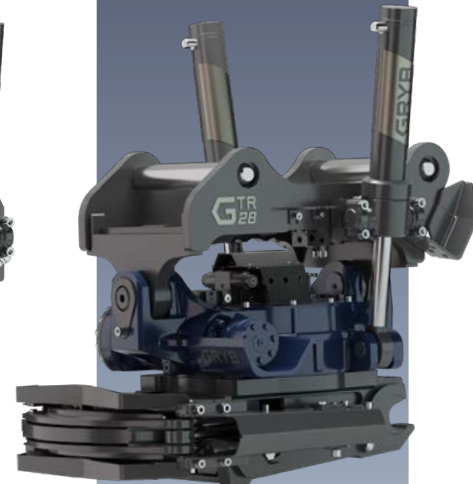
**Mounting - S60**



## GTR22

For 16 to 22 tons excavators

**Mounting - S70**



## GTR28

For 22 to 30 tons excavators

**Mounting - S70**

816

36 / 29 / 18 / 26\*

26

3,046

25,151

7

5,162

105,471

24,729

60

1,080

36 / 30 / 20 / 32\*

32

3,046

33,928

7

4,425

136,449

29,225

72

1,367

39 / 33 / 24 / 33\*

32

3,046

38,353

7

5,162

169,639

33,722

80

1,653

43 / 40 / 26 / 34\*

32

3,046

39,091

7

5,162

228,644

40,466

80

*\*Dimensions might vary depending on configuration and options*

# MACS ST System

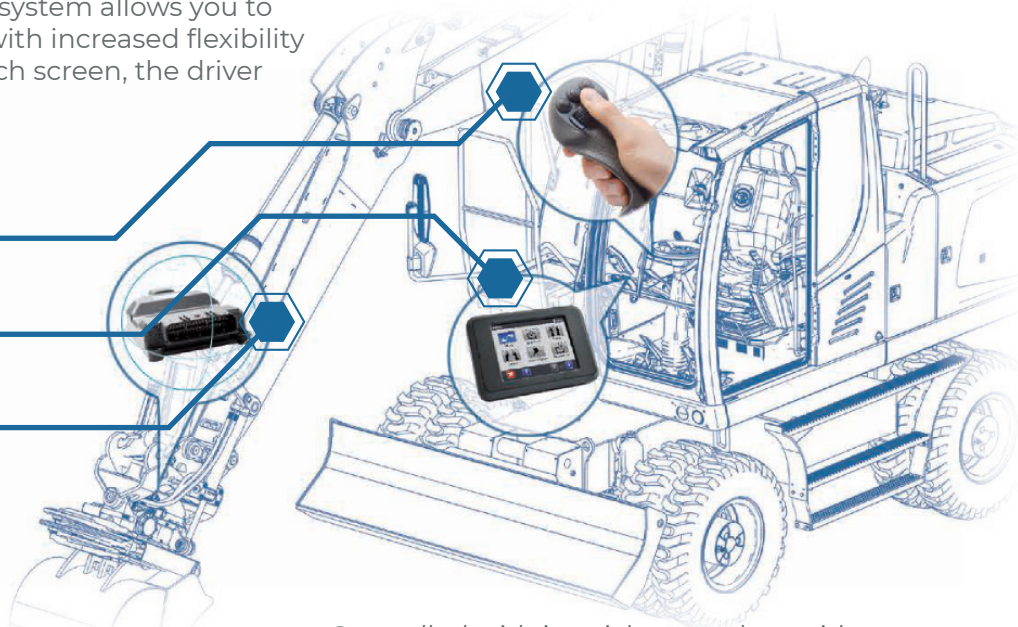
With MACS ST you can control the tiltrotator's functions. The functions and steering are controlled with joysticks equipped with stepless rollers. The rollers on the handles make it possible to control the functions proportionally, so the speed increases the more you roll them. The MACS system allows you to operate your tiltrotator more smoothly and with increased flexibility which provides great precision. With the touch screen, the driver can easily get feedback from the system via a user-friendly interface.

## Joystick

## Touchscreen

## Controller

- › Easy installation;
- › Graphic touchscreen with user friendly interface;
- › Screen which clearly displays the bucket angle for example;
- › Individual user profiles;
- › Connected to the excavator's single acting hydraulics circuit;
- › Controlled with joysticks complete with multiple stepless roller switches;
- › Proportionally controlled valves enable exact precision during operation.





# Integrated Grip Module

The GRYB Grip Module ensures easy handling when working with posts, poles, timber, paving, or pipe and drain installations. The compact grip module takes up very little space under the tiltrotator and can be easily removed and reattached when needed without affecting the use or connection of the attachment. The GRYB Grip Module has been developed for high durability, strength and low weight. Thanks to the integrated load holding valves and the gripping synchronization, an even and secure grab function for safe lifting and full control is always ensured.



Coupler	S40	S45, S50	S60, S70
<b>Max. Opening (in)</b>	18	24	31
<b>Gripping Force (lbs)</b>	1,326	2,023	2,316
<b>Max. Lifting Capacity (lbs)</b>	880	1,320	1,760
<b>Weight (lbs)</b>	88	154	297
<b>Width Front (in)</b>	17	22	32
<b>Width Rear (in)</b>	19	25	29
<b>Max. Hydraulic Pressure (PSI)</b>	3,046	3,046	3,046









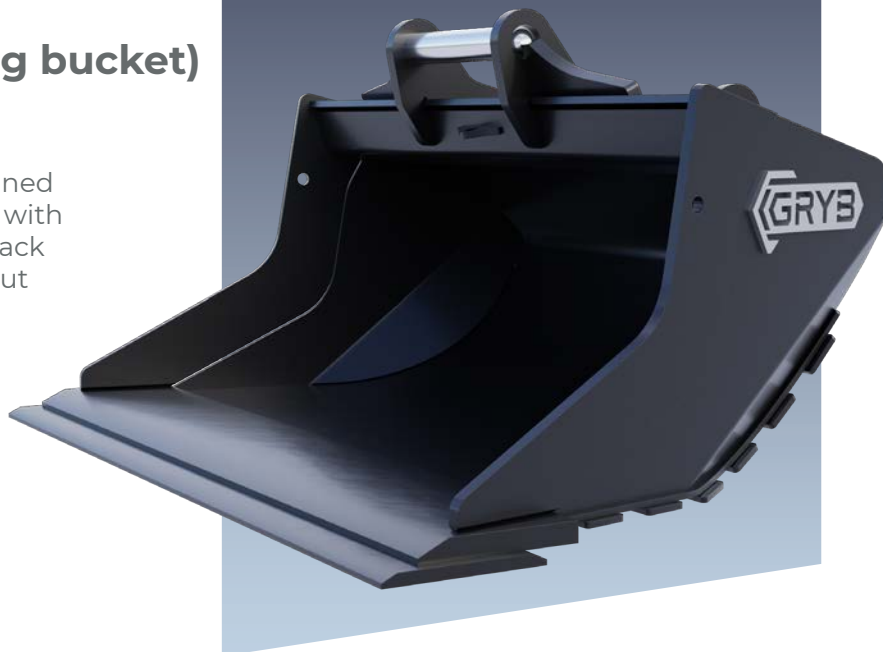




# Grading Bucket (ditching bucket) with beveled corners

This grading bucket is a powerful all-around tool. Designed for optimal use with our tiltrotators and quick couplers with a long and flat bottom, beveled corners and rounded back design allows the material releases easier and fill without clogging during digging.

- › Hanger bracket angle allows you to rotate the bucket easily without spilling any material;
- › Stronger materials used make the Grading Bucket a low weight durable construction;
- › One of the longest service lives in the industry;
- › Available with a Bolt-On-Cutting Edge.



MODEL	MACHINE WEIGHT (Tons)	WEIGHT (lbs)	WIDTH (in)	VOLUME (Yd <sup>3</sup> )	GTR Compatibility
<b>GEF035-36C-S40</b>	2,3 to 3,9	260	36	0.18	GTR04
<b>GEF035-42C-S40</b>	2,3 to 3,9	290	42	0.20	GTR04
<b>GEF035-48C-S40</b>	2,3 to 3,9	330	48	0.25	GTR04
<b>GEF050-42D-S40</b>	4 to 5,9	360	42	0.30	GTR06
<b>GEF050-48D-S40</b>	4 to 5,9	400	48	0.35	GTR06
<b>GEF075-48D-S45</b>	6 to 9,9	600	48	0.48	GTR10
<b>GEF075-54E-S45</b>	6 to 9,9	665	54	0.55	GTR10
<b>GEF120-60E-S60</b>	10 to 15	1,140	60	0.75	GTR15
<b>GEF120-66F-S60</b>	10 to 15	1,245	66	0.85	GTR15
<b>GEF120-96G-S60</b>	10 to 15	1,635	96	1.32	GTR15
<b>GEF160-60F-S60</b>	16 to 19	1,340	60	1.00	GTR18
<b>GEF160-66G-S60</b>	16 to 19	1,465	66	1.15	GTR18
<b>GEF200-66G-S70</b>	20 to 23	1,820	66	1.35	GTR22
<b>GEF200-72G-S70</b>	20 to 23	1,995	72	1.50	GTR22
<b>GEF200-96I-S70</b>	20 to 23	2,450	96	2.10	GTR22
<b>GEF270-72H-S70</b>	24 to 29	2,445	72	1.80	GTR28
<b>GEF270-78H-S70</b>	24 to 29	2,640	78	2.00	GTR28



# Digging Bucket

The digging bucket is a perfect marriage between efficiency and durability. Available in both HD and SHD construction, this bucket is ready for any digging scenario.

- › Available with or without bucket teeth and with optional tooth systems;
- › Hanger Bracket angle allows you to rotate the bucket easily without spilling any material;
- › Stronger materials used make the Digging Bucket a low weight durable construction;
- › One of the longest service lives in the industry;
- › Available in Heavy Duty or Severe Heavy Duty.



*Side cutter in option*

MODEL	MACHINE WEIGHT (Tons)	WEIGHT (lbs)	WIDTH (in)	VOLUME (Yd <sup>3</sup> )	NUMBER OF TEETH	GTR Compatibility
<b>GED035-24</b>	2,3 to 3,9	220*	25	0.14	5 or 6	GTR04
<b>GED050-24</b>	4 to 5,9	290*	25	0.20	5 or 6	GTR06
<b>GED075-24</b>	6 to 9,9	540*	25	0.34	4 or 5	GTR10
<b>GED075-30</b>	6 to 9,9	625*	31	0.45	5 or 6	GTR10
<b>GED075-36</b>	6 to 9,9	695*	37	0.56	5 or 6	GTR10
<b>GED120-30</b>	10 to 15	1,125*	32	0.70	5	GTR15
<b>GED120-36</b>	10 to 15	1,225*	38	0.85	5 or 6	GTR15
<b>GED120-40</b>	10 to 15	1,290*	42	1.00	5 or 6	GTR15
<b>GED160-36</b>	16 to 19	1,470*	38	0.95	5 or 6	GTR18
<b>GED160-40</b>	16 to 19	1,555*	42	1.10	5 or 6	GTR18
<b>GED160-42</b>	16 to 19	1,600*	44	1.15	5, 6 or 7	GTR18
<b>GED200-42</b>	20 to 23	2,055*	45	1.30	5 or 6	GTR22
<b>GED200-48</b>	20 to 23	2,210*	51	1.55	5 or 6	GTR22
<b>GED270-42</b>	24 to 29	2,495*	45	1.50	5	GTR28
<b>GED270-48</b>	24 to 29	2,675*	51	1.75	5 or 6	GTR28
<b>GED270-54</b>	24 to 29	2,900*	57	2.00	6 or 7	GTR28

*\*Weight may vary depending on teeth selection.*

# Trench Bucket

When you are digging narrow cable trenches, pipe culverts or drains, GRYB's trenching buckets make the job easier. The extended front section delivers extra protection when using a tiltrotator, the trenching bucket's narrow shape and cutting edge enable the bucket to dig deep in trenches.

- › Hanger bracket angle allows you to rotate the bucket easily without spilling any material;
- › Allows deep trenching without any need for the tiltrotator to go below surface level;
- › Stronger materials used make the trenching bucket a low weight durable construction.



*\*Teeth available in option.*

MODEL	MACHINE WEIGHT (Tons)	WEIGHT (lbs)	WIDTH (in)	VOLUME (Yd <sup>3</sup> )	NUMBER OF TEETH	GTR Compatibility
<b>GET035-12C0-S40</b>	2,3 to 3,9	165	12	0.1	0	GTR04
<b>GET035-12C3-S40</b>	2,3 to 3,9	195	12	0.1	3	GTR04
<b>GET050-14C0-S40</b>	4 to 5,9	220	14	0.16	0	GTR06
<b>GET050-14C3-S40</b>	4 to 5,9	250	14	0.16	3	GTR06
<b>GET075-14C0-S45</b>	6 to 9,9	390	14	0.21	0	GTR10
<b>GET075-14C3-S45</b>	6 to 9,9	425	14	0.21	3	GTR10
<b>GET075-16C0-S45</b>	6 to 9,9	410	16	0.22	0	GTR10
<b>GET075-16C3-S45</b>	6 to 9,9	445	16	0.22	3	GTR10
<b>GET120-16D0-S60</b>	10 to 15	680	16	0.35	0	GTR15
<b>GET120-16D3-S60</b>	10 to 15	760	16	0.35	3	GTR15
<b>GET120-20D0-S60</b>	10 to 15	720	20	0.42	0	GTR15
<b>GET120-20D3-S60</b>	10 to 15	805	20	0.42	3	GTR15
<b>GET160-18D0-S60</b>	16 to 19	880	18	0.46	0	GTR18
<b>GET160-18D3-S60</b>	16 to 19	950	18	0.46	3	GTR18
<b>GET200-24E0-S70</b>	20 to 23	1,295	24	0.65	0	GTR22
<b>GET200-24E3-S70</b>	20 to 23	1,400	24	0.65	3	GTR22
<b>GET270-26F0-S70</b>	24 to 29	1,625	26	0.85	0	GTR28
<b>GET270-26F3-S70</b>	24 to 29	1,750	26	0.85	3	GTR28



# Construction Grapple

The construction grapple opens wider than any other. It is designed to be mounted on an excavator. It's unique stand uses heavier plate that is bent in one piece without any welded side pieces. The load retention valve and piston accumulator are installed inside the stand, integrated with the hydraulic system. The construction grapple can do heavy lifting but remains extremely stable.



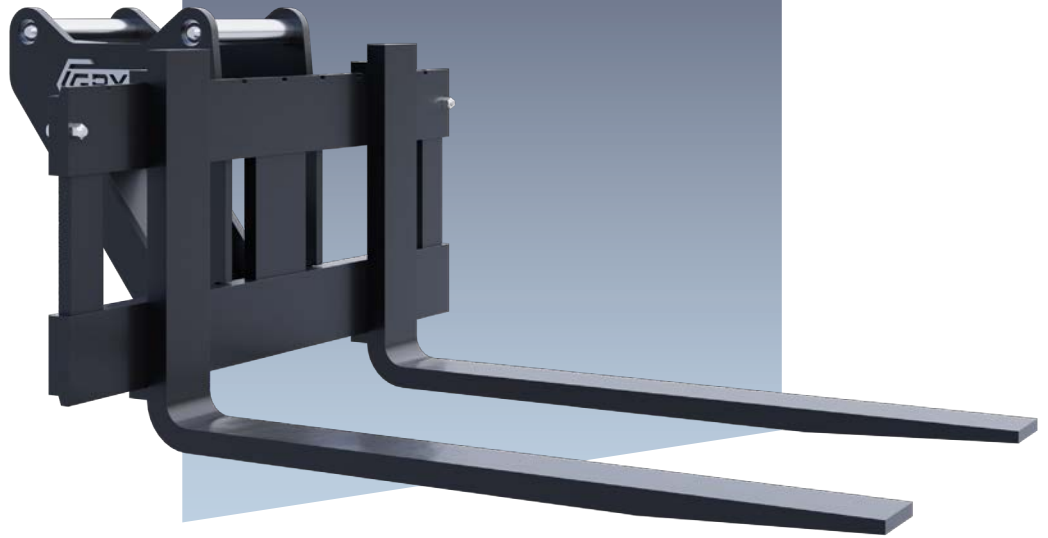
- › Perfect tool to widen the range of operation available with the tiltrotator;
- › High clamping force;
- › Application areas include heavy lifting, stone laying, sorting, loading of cut-to-length timber, waste wood handling, light demolition etc.

MODEL		015	25	40	55	80
<b>Max working pressure</b>	psi	3,626	3,626	3,626	3,626	3,626
<b>Tip force, tip to tip</b>	lbs	2,248	4,047	3,822	3,822	10,341
<b>Opening time at 18 gpm</b>	s	0.4	0.8	1.1	1.7	3.6
<b>Closing time at 18 gpm</b>	s	0.6	1.4	1.7	2.5	5.2
<b>Length, Closed grapple</b>	in	29.1	31.5	38.0	43.3	53.3
<b>Maximum grapple opening</b>	in	46.1	57.5	81.7	94.1	111.8
<b>Max width</b>	in	15.6	20.1	21.7	21.7	31.5
<b>Width, outer claw</b>	in	14.0	17.1	18.6	18.6	28.1
<b>Height, closed grapple</b>	in	20.1	22.0	25.0	27.0	34.8
<b>Height, open grapple</b>	in	27.0	28.5	25.8	28.5	37.0
<b>Min load diameter</b>	in	3.5	3.9	5.9	7.1	6.9
<b>Load area</b>	ft <sup>2</sup>	1.6	2.7	4.3	5.9	8.6
<b>Max load</b>	lbs	6,614	11,023	15,432	15,432	22,046
<b>Weight</b>	lbs	364	639	750	838	1,830

# Pallet Fork

The GRYB tiltrotator turns this classic attachment into a powerhouse of flexibility a versatility.

- › For excavators from 2.3 to 29 Tons;
- › Custom design available.



MODEL	MACHINE WEIGHT (Tons)	WEIGHT (lbs)	WIDTH (in)	CAPACITY PER PAIR AT 24" (lbs)	FORK SIZE	GTR Compatibility
<b>FLI02-50LBD48-S40</b>	2,3 to 5,9	650	50	5,500	5" X 1,5" X 48"	GTR04 - GTR06
<b>FLI02-50LBD48-S45</b>	6 to 9,9	690	50	5,500	5" X 1,5" X 48"	GTR10
<b>FLI04-60LDE48-S60</b>	10 to 19	1,370	60	12,600	6" X 2,0" X 48"	GTR15 - GTR18
<b>FLI04-60LDE60-S60</b>	10 to 19	1,425	60	12,600	6" X 2,0" X 60"	GTR15 - GTR18
<b>FLI04-60LFE48-S70</b>	20 to 29	1,555	60	21,100	6" X 2,5" X 48"	GTR22 - GTR28
<b>FLI04-60LFE60-S70</b>	20 to 29	1,610	60	21,100	6" X 2,5" X 60"	GTR22 - GTR28

# Asphalt Cutter

This powerful asphalt cutter is designed to last. The GRYB tiltrotator brings this attachment to a new level;

- › For excavators from 2.3 to 19 Tons.

MODEL	MACHINE WEIGHT (Tons)	AXLE DIA. (mm)	PULLEY (in)	WEIGHT (lbs)	GTR Compatibility
<b>COA075-19D-S40</b>	2,3 à 5,9	60	19	350	GTR04 - GTR06
<b>COA075-19D-S45</b>	6 à 9,9	60	19	370	GTR10
<b>COA075-19D-S60</b>	10 à 19	60	19	410	GTR15 - GTR18





# Grading Beam

The GRYB tiltrotator makes this attachment a powerful tool for grading for smaller jobs such as driveways and trails.

- › For excavators from 2.3 to 29 Tons;
- › Available in 60", 78", 96" & 108" Width.



MODEL	MACHINE WEIGHT (Tons)	WEIGHT (lbs)	WIDTH (in)	ROLLER DIA. (in)	GTR Compatibility
<b>GBP060-S40</b>	2,3 to 5,9	660	60	10.75	GTR04 - GTR06
<b>GBP078-S40</b>	2,3 to 5,9	850	78	10.75	GTR04 - GTR06
<b>GBP078-S45</b>	6 to 9,9	895	78	10.75	GTR10
<b>GBP078-S60</b>	10 to 19	980	78	10.75	GTR15 - GTR18
<b>GBP096-S60</b>	10 to 19	1,230	96	10.75	GTR15 - GTR18
<b>GBP096-S70</b>	20 to 29	1,380	96	10.75	GTR22 - GTR28
<b>GBP108-S70</b>	20 to 29	1,455	108	10.75	GTR22 - GTR28

# Ripper

The ripper is the ultimate tool to break difficult terrain before digging or trenching;

- › For excavators from 2.3 to 29 Tons.

MODEL	MACHINE WEIGHT (Tons)	WEIGHT (lbs)	GTR Compatibility
<b>RIP3550-24L-S40</b>	2,3 to 5,9	120	GTR04 - GTR06
<b>RIP075-30L-S45</b>	6 to 9,9	210	GTR10
<b>RIP1216-36L-S60</b>	10 to 19	470	GTR15 - GTR18
<b>RIP200-42L-S70</b>	20 to 23	760	GTR22
<b>RIP270-44L-S70</b>	24 to 29	960	GTR28





1400 Pierre-Roux Est blvd., Victoriaville, Qc G6T 2T7

[gryb.com](http://gryb.com) | 1 844 604-1396 | [info@gryb.ca](mailto:info@gryb.ca)

DISTRIBUTED BY

