



# Dust control units

## 400V series







Dehaco Tera 400V series

## Champions in dust control

Using a dust control unit is the perfect solution for quickly collecting dust during demolition and renovation activities. The technology is based on a targeted distribution of fine water spray to which dust particles adhere.

### Low maintenance Demto-Rotor®

The Demto-Rotor® that is used starting from the Tera 15 is also standard on the 400V series and does away with all the disadvantages of conventional nozzles, such as clogging due to lime particles and dirt in the water. Lime particles cannot deposit in the Demto-Rotor® spray head.



### Applications

The applications vary, the most well-known being dust control in demolition and renovation work. They are also used in post-fire extinguishing to prevent the release of asbestos particles, in recycling, in the transshipment of bulk goods or in waste processing for the benefit of odour control.

### ALL-IN-ONE SOLUTION TERA GT SERIES

Are you looking for an all-in-one solution, a completely independent machine that is able to work under all conditions? If so, we heartily recommend our Tera 60 GT series!

The GT series is independent of power and water supply. If required, the machine can be connected to the local water supply.

The frame is built for heavy loads and has been provided with an integrated water tank. This water tank is placed low and has been provided with anti-motion baffles. This ensures the best possible weight distribution when moving the mobile unit. In this way, the load on the towing vehicle is as low as possible and a more stable road holding is ensured. In addition, the top cover of the machine can be disassembled and is therefore accessible at all times.

The Tera 60 GT series is available in three versions:

#### GTM

Generator, Tank and Mobile all terrain undercarriage

#### GTX

Just as complete as the GTM, only without the all terrain undercarriage.

#### TX

Same as the GTX, except that this type is supplied without the all terrain undercarriage and without a Dehaco generator. However, you can use a generator of your own to make the unit fully self supporting.







# Choose the best machine for your project

The best machine in 3 steps:

## Choose the best machine for your job in 3 steps

- Step 1: Choose the required throw distance
- Step 2: Choose the required configuration  
Standard or self supporting?
- Step 3: Choose the required options

## Step 1 Choose the required throw distance

The Tera 400V series has machines with four different throw distances: 45, 60, 75 or 90 metres. Your choice will depend on the size of the area that has to be kept free from dust. However, you can be flexible in this regard, as the Tera machines are equipped with a **Smart Fan**.

### Smart Fan

The Smart Fan was specially designed for the Tera series and allows you to set the correct throw while performing the work. The fan has three positions, i.e.:

- Position 1: ECO
- Position 2: ECO BOOST
- Position 3: POWER BOOST

In the lower positions "ECO" and/or "ECO BOOST", the power consumption is 20 to 40% lower.

In the illustration below you can see what the throw will be of the Tera 90 when the fan is set to one of the 3 positions: ECO, ECO BOOST and POWER BOOST.



Rotation  
0 - 335°



MAX. Throw  
75m



MAX. Throw  
85



MAX. Throw  
90m



## Step 2 Choose the required configuration

### ► Standard



**Tera 45 Standard**  
|↔| 0 - 45 metres  
☐ 415 kg  
💧 0 - 1500 l/h  
⚡ 400 V  
📏 lxbxh  
1103x1061x1519 cm

item no. 4210.0020



**Tera 60 Standard**  
|↔| 0 - 60 metres  
☐ 514 kg  
💧 0 - 4500 l/h  
⚡ 400 V  
📏 lxbxh  
1540x1048x1747 cm

item no. 4210.0012



**Tera 75 Standard**  
|↔| 0 - 75 metres  
☐ 534 kg  
💧 0 - 4500 l/h  
⚡ 400 V  
📏 lxbxh  
1540x1048x1747 cm

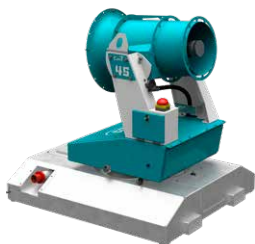
item no. 4210.0013



**Tera 90 Standard**  
|↔| 0 - 90 metres  
☐ 652 kg  
💧 0 - 4500 l/h  
⚡ 400 V  
📏 lxbxh  
1955x1238x2026 cm

item no. 4210.0014

### ► Skid



**Tera 45 Skid**  
|↔| 0 - 45 metres  
☐ 580 kg  
💧 0 - 1500 l/h  
⚡ 400 V  
📏 lxbxh  
1680x1400x1629 cm

item no. 4210.0025



**Tera 60 Skid**  
|↔| 0 - 60 metres  
☐ 679 kg  
💧 0 - 4500 l/h  
⚡ 400 V  
📏 lxbxh  
1717x1400x1857 cm

item no. 4210.0027



**Tera 75 Skid**  
|↔| 0 - 75 metres  
☐ 699 kg  
💧 0 - 4500 l/h  
⚡ 400 V  
📏 lxbxh  
1717x1400x1857 cm

item no. 4210.0028



**Tera 90 Skid**  
|↔| 0 - 90 metres  
☐ 817 kg  
💧 0 - 4500 l/h  
⚡ 400 V  
📏 lxbxh  
1953x1400x2160 cm

item no. 4210.0029



## ► Combi Skid



### Tera 45 Standard

↔ 0 - 45 metres

1.350 kg

0 - 1500 l/h

400 V

lxbxh  
1940x2248x2135 cm

item no. 4210.0030



### Tera 60 Standard

↔ 0 - 60 metres

1.954 kg

0 - 4500 l/h

400 V

lxbxh  
2240x2548x2297 cm

item no. 4210.0032



### Tera 75 Standard

↔ 0 - 75 metres

1.974 kg

0 - 4500 l/h

400 V

lxbxh  
2240x2548x2297 cm

item no. 4210.0033



### Tera 90 Standard

↔ 0 - 75 metres

2.112 kg

0 - 4500 l/h

400 V

lxbxh  
2240x2548x2601 cm

item no. 4210.0034

## ► Self supporting



### Tera 60 GTM

Generator, water tank,  
all-terrain undercarriage

↔ 0 - 60 metres

2.385 kg

0 - 4500 l/h

400 V

lxbxh  
4370x2250x2410 cm

item no. 4210.0041



### Tera 60 GTX

Generator, water tank

↔ 0 - 60 metres

2.150 kg

0 - 4500 l/h

400 V

lxbxh  
3020x2250x2100 cm

item no. 4210.0042



### Tera 60 TX

Water tank

↔ 0 - 60 metres

1.575 kg

0 - 4500 l/h

400 V

lxbxh  
3020x2250x2100 cm

item no. 4210.0043



## Standard complete!

### 1 Demto-Rotor® Technology

The Demto-Rotor® makes it possible to adjust water consumption as well as drop size:

- Position 1: Coarse drop size
- Position 2: Medium drop size
- Position 3: Fine drop size



### 2 Electrical height adjustment

The Tera is made with an electrical height adjustment from +50 to -25°.

### 3 Transport lock

This lock ensures a stable construction between cone and frame, as a result of which rotation is no longer possible during transport.

### 4 Electrical rotation

The Tera is made with electrical rotation (335°). The swivel angle for automatic rotation can be easily adjusted via the control panel.

### 5 Crane hooks

The Tera is provided with four crane hooks mounted on the undercarriage.

### 6 Fork holes

### 7 Adjustable support legs\*

### 8 Cone

The cone ensures an ideal air flow and speed, resulting in an optimal performance. Thanks to the construction of the Demto-Rotor®, all spray is thrown out from the centre of the cone.

### 9 Double axle all terrain undercarriage\*

### 10 Step

### 11 Smart Fan

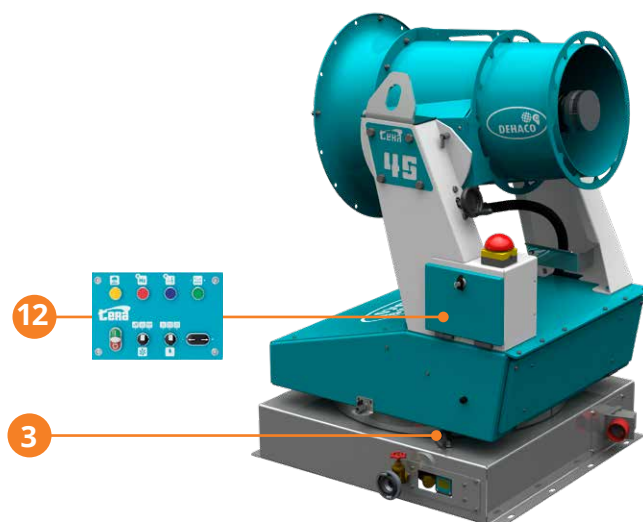
The fan was specially developed for the Tera series and perfectly fits the cone.

Thanks to the three positions, the correct throw can be set at all times while performing the work:

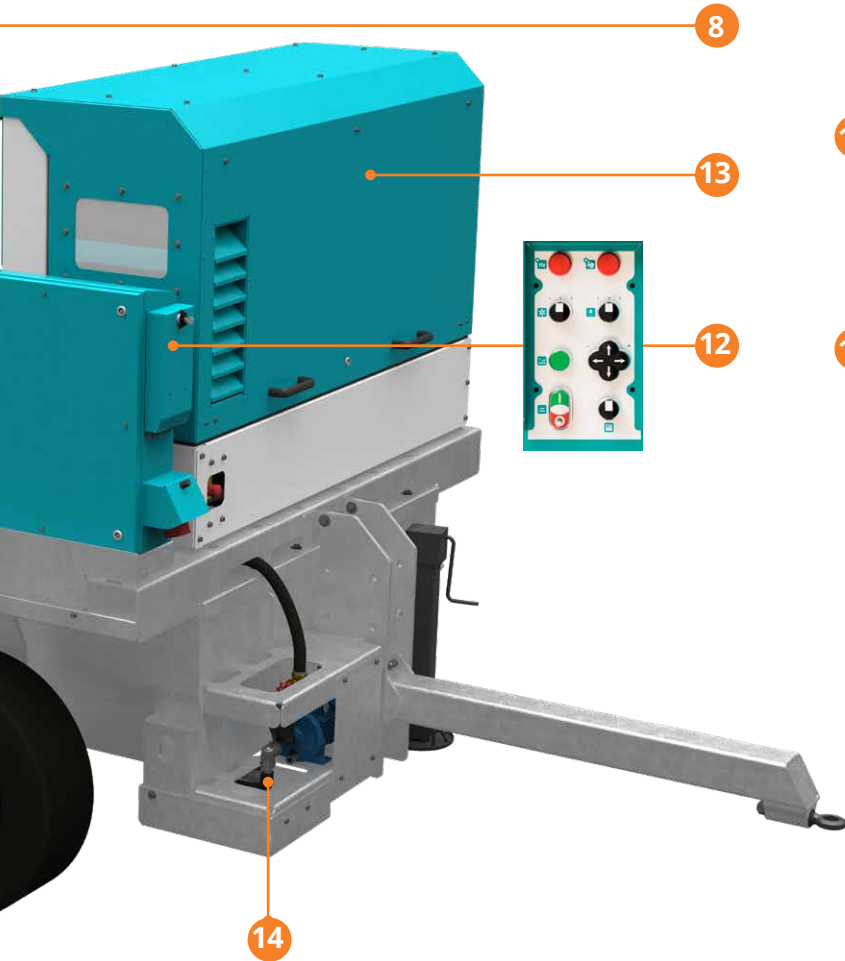
- Position 1: ECO
- Position 2: ECO BOOST
- Position 3: POWER BOOST

In the lower positions "ECO" and/or "ECO BOOST", the power consumption is 20 to 40% lower.

Noise is reduced by means of special strips applied on the fan blades.







**12 Control panel**

Lockable control panel with switches for all functions.

**13 Dehaco ECO Power generator**

The powerful FG Wilson generator is recessed in the frame. With a capacity of 25 kVA, 400 V, 50 Hz, this generator is excellently suitable to allow the Tera 60 to run at full power.

**14 2200 litre water tank**

Tank made of galvanised steel with a 2200 litre capacity. Provided with manhole for water inlet including receptacle screen, a floater at the water filling point and a lift pump.

**15 Drain tap water (2x)**

The two water drain points are positioned next to each other to be able to store the entire machine free from frost.

## Optioneel

**Remote control for Tera 45/60/75/90 standaard**

All models can be combined with a remote control allowing the most important features to be operated from a distance. 4225.0102

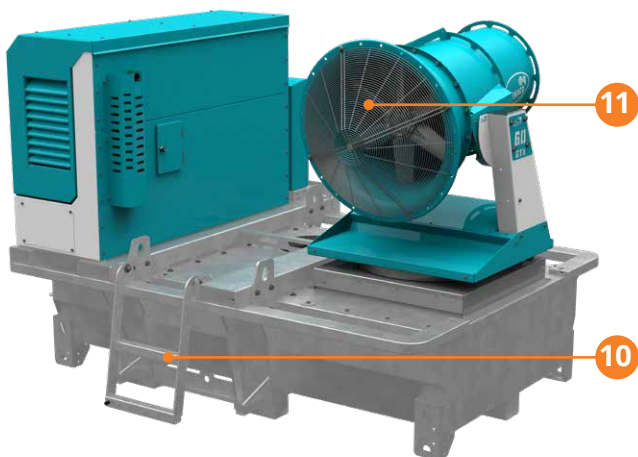


**UVC3000 water decontamination system for Tera 45  
UVC6000 water decontamination system for Tera 60/75/90**

This system prevents the emission of bacteria's such as legionnaires disease during operation. The system includes an UV-lamp and a control panel where the necessary information can be monitored.

**UVC3000** 4225.0978

**UVC6000** 4230.0009





# Technical overview 400V series



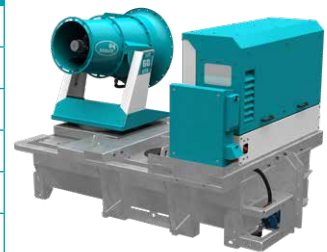
		TERA 45	TERA 60	
<b>Technical specifications</b>	Maximum throw at position 3 "Power Boost"	mtr	45	60
	Maximum throw at position 2 "Eco-Boost" / 1 "Eco"	mtr	40 / 30	55 / 45
	Weight	kg	415	514
	Water consumption	ltr	100 - 1500	500 - 4500
	Optimal water supply pressure (min-max)	bar	3.0 (0.1 - 6.0)	3.0 (0.1 - 6.0)
	Water connection		Storz C52	Storz C52
	Power consumption at position 3 "Power Boost"	kW	6.0 (100 l/h) / 7.0 (1500 l/h)	12.0 (500 l/h) / 16.0 (4500 l/h)
	Power consumption at position 2 "Eco Boost"	kW	4.5 (100 l/h) / 6.5 (1500 l/h)	8.0 (500 l/h) / 12.0 (4500 l/h)
	Power consumption at position 1 "Eco"	kW	4.0 (100 l/h) / 5.5 (1500 l/h)	6.0 (500 l/h) / 10.0 (4500 l/h)
	Required voltage	V	400	400
	Required amperage	A	32	63
	Rotation adjustment		0 - 335°	0 - 335°
	Height adjustment angle (+50°/-25°)		75°	75°
	Dimensions standard Tera (lxwxh)	mm	1103x1061x1519	1541x1061x1747
Dimensions lower foot (lxwxh)	mm	1004x1061x200	1004x1061x200	
<b>Features:</b>	Demto-Rotor® Technology	●	●	
	Electrical rotation adjustment (swivel adjustment included)	●	●	
	Electrical height adjustment	●	●	
	Control panel made with switches	●	●	
	Water consumption gauge (throttling valve included)	●	●	
	Remote control	○	○	
	UVC water disinfection system	○	○	
	Cable 25 metres 32A	○	-	
	Cable 25 metres 63A	-	○	
	<b>Item number</b>		4210.0020	4210.0012

- Standard
- Option
- Not possible

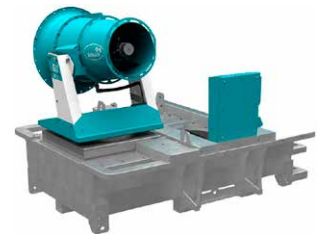


TERA GTX

TERA 75	TERA 90	TERA GTX/GTX/TX
75	90	60
70 / 60	85 / 75	55 / 45
534	652	2385 / 2150 / 1575
500 - 4500	500 - 4500	500 - 4500
3.0 (0.1 - 6.0)	3.0 (0.1 - 6.0)	3.0 (0.1 - 6.0)
Storz C52	Storz C52	Storz C52
16.0 (500 l/h) / 20.0 (4500 l/h)	23.0 (500 l/h) / 27.0 (4500 l/h)	12.0 (500 l/h) / 16.0 (4500 l/h)
13.0 (500 l/h) / 17.0 (4500 l/h)	18.0 (500 l/h) / 22.0 (4500 l/h)	8.0 (500 l/h) / 12.0 (4500 l/h)
8.0 (500 l/h) / 12.0 (4500 l/h)	15.0 (500 l/h) / 19.0 (4500 l/h)	6.0 (500 l/h) / 10.0 (4500 l/h)
400	400	400
63	63	63
0 - 335°	0 - 335°	0 - 335°
75°	75°	75°
1541x1061x1747	1955x1238x2026	4370x2250x2410 GTX 3021x2180x2140 GTX/TX
1004x1061x200	1004x1061x200	N/A
●	●	●
●	●	●
●	●	●
●	●	●
●	●	●
○	○	○
○	○	○
-	-	-
○	○	○
4210.0013	4210.0014	4210.0041 / 4210.0042 / 4210.0043

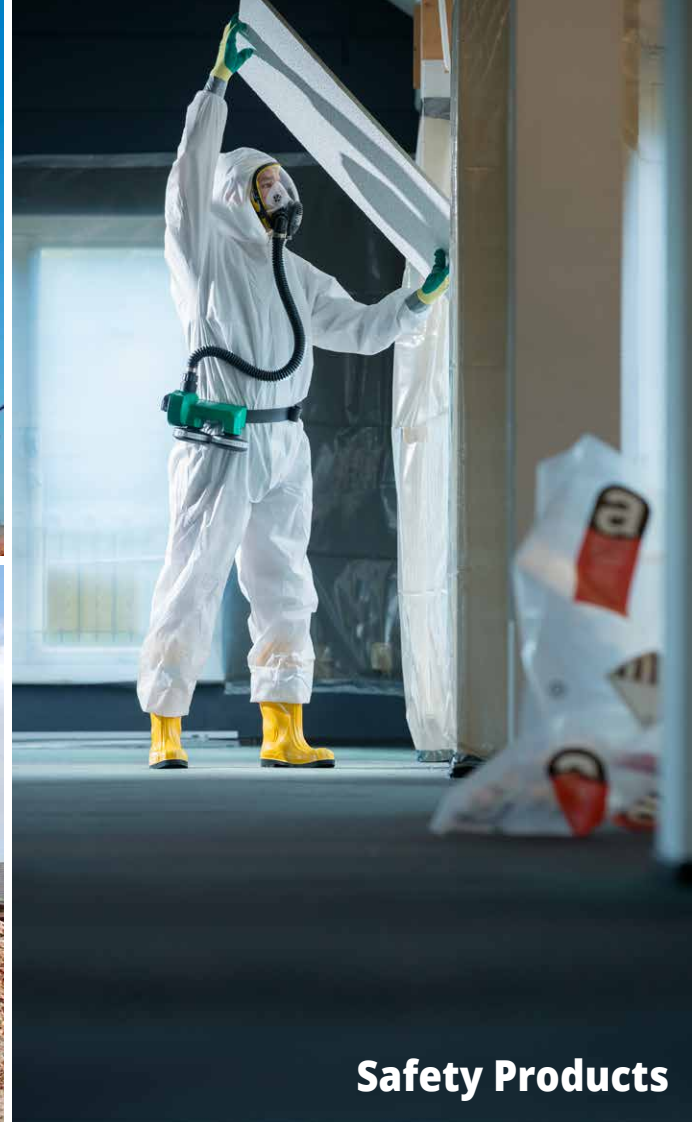


TERA GTX

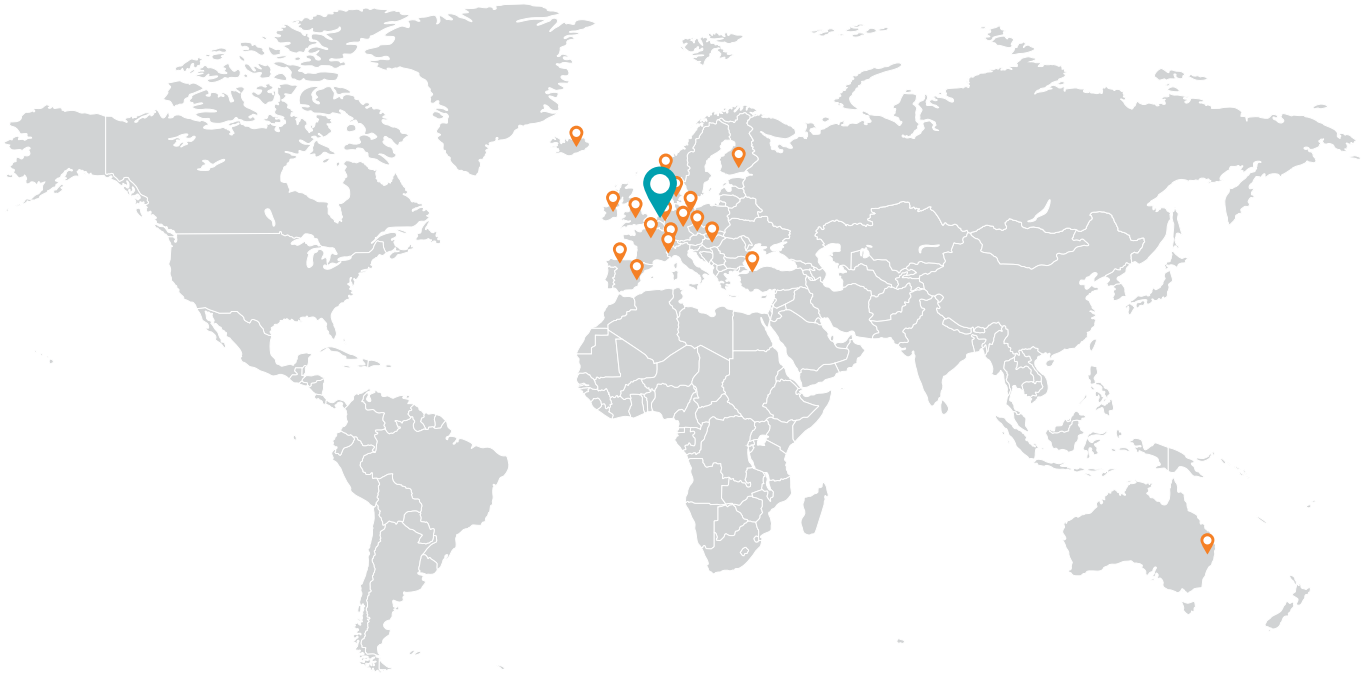


TERA TX,  
own generator

# Dehaco Products



Please contact your dealer for more information:



Copyright 2022 Dehaco B.V.

Dehaco reserves the right to make changes to the products.

We accept no liability for printing and setting errors. The actual colours of the products may differ slightly from the printed colours.

  
**DEHACO**  
[WWW.DEHACO.NL](http://WWW.DEHACO.NL)

EN/Teradust control units/2022-09

Dehaco B.V. • Kruisbaak 25 • 2165 AJ Lisserbroek (NL) • T +31 (0)88 20 20 600 • [info@dehaco.nl](mailto:info@dehaco.nl)