

English

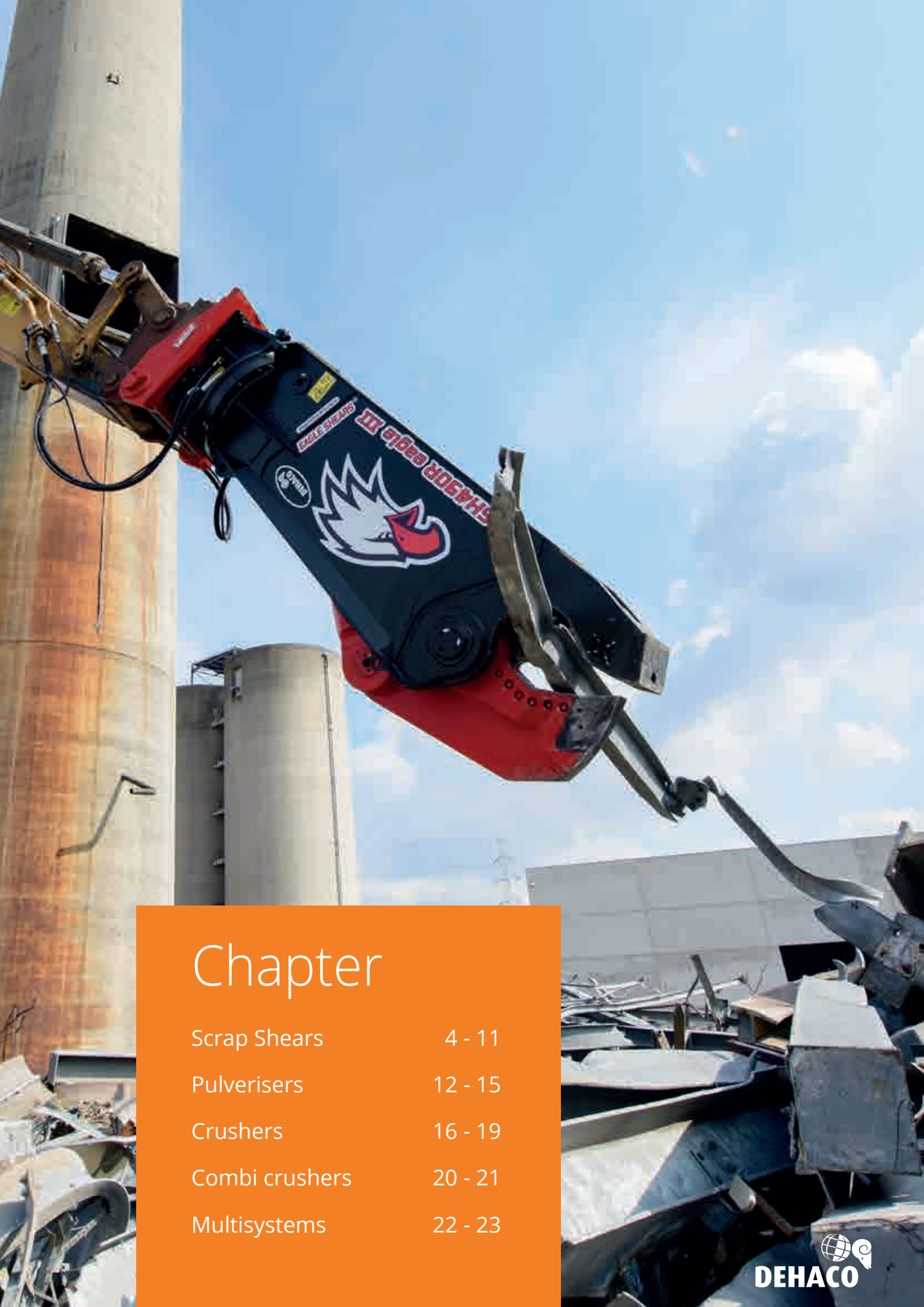
Scrap Shears
Pulverisers
Crushers
Combi crushers
Multisystems



DEHACO. The best equipment for a new beginning...

DEHACO





Chapter

Scrap Shears	4 - 11
Pulverisers	12 - 15
Crushers	16 - 19
Combi crushers	20 - 21
Multisystems	22 - 23



Scrap shears Eagle 2 & Eagle 3 series

Scrap shears were developed for the demolition of metal structures such as buildings, tanks, bridges and many more. The shears are also often used for processing and handling various types of steel in the recycling yard.

With an Eagle scrap shear you have a very powerful tool that provides an optimum view of the work!



SH EAGLE 2 scrap shears

Jaws

The alignment of the jaws is crucial for achieving an optimum cutting power. Machinists are able to adjust the guides themselves by means of a simple action.

Reversed cylinders

The slim design ensures savings in weight. In order to protect the cylinder, it has been reversed.

Automatic lubrication system

Shears weighing more than 7 tonnes are equipped with the patented Manto Autolube system, an automatic lubrication pump that ensures correct lubrication of the most important moving parts.

Rotating group

The firm rotation ensures an accurate positioning of the tool, while the anti-cavitation valve increases operational safety.

Speed valve

The speed valve shortens the opening and closing time, thus increasing productivity.



360° hydraulic rotation

Cylinder system

Larger cylinder diameter for more power.
Reversed cylinder for extra protection.

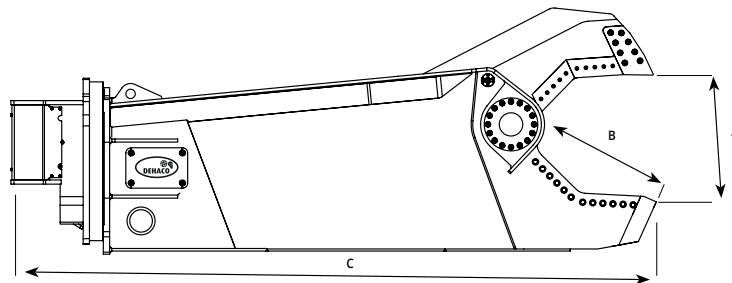
Speed Valve

Double cutting guides

Interchangeable blades

Interchangeable front blade

SH EAGLE 2 scrap shears



Technical specifications

		SH25R	SH50R	SH100R	SH130R	SH180R	SH310R
Carrier weight class (bucket place)	t	5 - 7	7 - 10	11 - 13	13 - 17	18 - 25	30 - 40
Carrier weight class (stick place)	t	2 - 4	4 - 6	7 - 10	8 - 12	14 - 18	20 - 28
Operational weight	kg	380	650	1.100	1.220	2.100	3.300
Operating pressure	bar	200 - 250	250 - 300	250 - 300	250 - 300	320 - 350	320 - 350
Oil flow	l/min	60 - 100	80 - 100	90 - 110	90 - 110	150 - 200	200 - 250
Operating pressure rotation	bar	190 - 200	90 - 100	190 - 200	90 - 100	130 - 150	100 - 115
Oil flow rotation	l/min	10 - 15	15 - 20	10 - 15	30 - 40	30 - 40	30 - 40

Dimensions

		SH25R	SH50R	SH100R	SH130R	SH180R	SH310R
A Jaw opening	mm	195	290	375	375	445	565
B Jaw depth	mm	200	290	395	395	525	630
C Length of shears	mm	1.350	1.900	2.000	2.100	2.700	3.300
Article number		2810.0025	2810.0014	2810.0022	2810.0026	2810.0010	2810.0011

Cutting capacity

			SH25R	SH50R	SH100R	SH130R	SH180R	SH310R
Rod	●	mm	30	40	55	55	65	85
Pipe	○	mm	114x4	127x6	178x6	178x6	203x8	324x10
IPE profile	┌─┐	mm	120	200	240	240	360	500
HEA profile	┌─┐	mm	100	120	200	200	280	340
HEB profile	┌─┐	mm	-	80	120	120	200	280
Plate	—	mm	6	8	12	12	15	20
L profile	L	mm	120x8	160x10	140x12	140x12	200x15	200x20

SH zonder rotatie zijn op aanvraag leverbaar



Technical specifications

		SH410R	SH550R	SH700R	SH900R	SH2000R
Carrier weight class (bucket place)	t	45 - 55	55 - 65	75 - 85	90 - 110	170 - 200
Carrier weight class (stick place)	t	28 - 39	39 - 45	45 - 60	60 - 80	110 - 150
Operational weight	kg	4.700	5.750	7.700	10.100	21.000
Operating pressure	bar	320 - 350	320 - 350	320 - 350	320 - 350	320 - 350
Oil flow	l/min	250 - 300	275 - 375	500 - 600	600 - 700	700 - 1.000
Operating pressure rotation	bar	100 - 115	100 - 115	140 - 150	170 - 190	170 - 200
Oil flow rotation	l/min	30 - 40	30 - 40	50 - 60	55 - 65	140 - 150

Dimensions

A Jaw opening	mm	670	760	830	940	1.200
B Jaw depth	mm	720	780	840	950	1.200
C Length of shears	mm	3.700	3.950	4.300	4.600	6.000
Article number		2810.0012	2810.0016	2810.0027	2810.0028	2810.0035

Cutting capacity

Rod	●	mm	100	110	130	160	170
Pipe	○	mm	406x12	508x14	560x16	711x20	914x15
IPE profile	I	mm	600	700	800	900	1.100
HEA profile	H	mm	400	500	650	700	1.000
HEB profile	H	mm	300	360	450	500	800
Plate	—	mm	25	25	30	35	40
L profile	L	mm	200x25	250x25	300x30	350x30	400x35

NEW! SH EAGLE 3 scrap shears



Dehaco's Eagle 3 scrap shears were specially developed for cutting wide ranging types of steel.

Our shears are characterized by a slim design, two jaw guides and a reversed cylinder for more power. Due to the differential valve, opening and closing of the typical eagle jaw takes place faster.

Compact frame

The overall length of the Eagle 3 shears is less and the shears are lighter as well. This makes the carrier more stable, which is essential to be able to work safely. Scrap shears are increasingly used with UHD machines, which require stability. A lower weight also means less fuel consumption.

Jaw opening

A shorter and lighter shear often means a smaller maximum jaw opening. This is not the case with the Eagle 3 shears. The jaw opening of this new series is actually larger than that of the Eagle 2 series. As well as the wider jaw opening, the jaws are also deeper. This allows steel to be cut more effectively.

Powerful

The Eagle 3 shears have a more powerful cylinder, which means they deliver 20% more cutting force. During the development process, the developments of the excavator were also taken into account. Modern machines have a 380 bar operating pressure. The Eagle 3 series are able to use this operating pressure fully, making them stronger than ever.

Features

- More power
- New jaw end design
- Reversed and forged cylinder
- High-quality materials
- Simplified maintenance
- Special sealant for the cylinder
- Fewer parts and less welding

Speed valve

The speed valve shortens the opening and closing time, thus increasing productivity.

Less wear

Idle time for maintenance is never convenient, even if it was planned. This new range of shears is fitted with armour plating to keep downtime to a minimum. These wear parts protect the shears from damage. Preventing wear also eliminates the need for welding on the frame.

The mobile and fixed jaws are cut out of 160 mm Hardox steel by means of a high pressure water jet. This process was selected to prevent changes in the properties of the material resulting from high temperatures during the cutting and processing phase. This results in a stronger shear with a longer life span.

360° hydraulic rotation

Cylinder system

Larger cylinder diameter for more power.
Reversed cylinder for extra protection.

Speed Valve

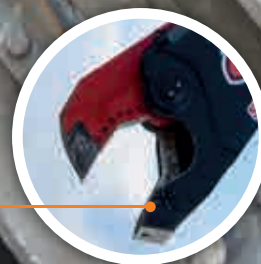
Reinforced top jaw

Double cutting guides

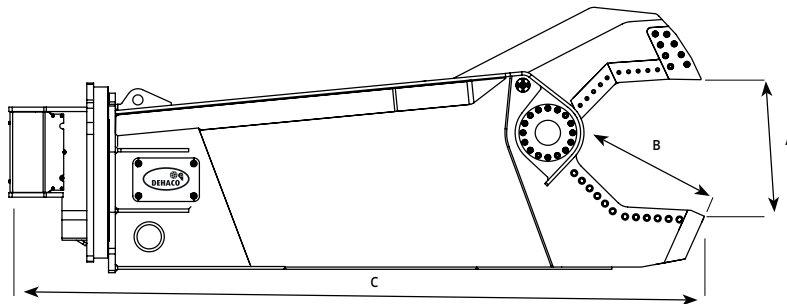
Interchangeable blades

Re-designed front blade
For maximum sustainability

Armour plates: wear resistant, protective



SH EAGLE 3 scrap shears



Technical specifications

		SH250R	SH320R	SH490R	SH800R	SH1500R
Carrier weight class (bucket place)	t	24 - 29	30 - 40	45 - 55	75 - 85	120 - 170
Carrier weight class (stick place)	t	17 - 19	20 - 28	28 - 39	45 - 60	80 - 110
Operational weight	kg	2.600	3.300	5.150	8.700	15.000
Operating pressure	bar	320 - 380	320 - 380	320 - 380	320 - 380	320 - 380
Oil flow	l/min	250 - 300	300 - 350	600 - 700	600 - 700	800 - 1.000
Operating pressure rotation	bar	100 - 115	100 - 115	140 - 150	170 - 190	170 - 200
Oil flow rotation	l/min	30 - 40	30 - 40	50 - 60	55 - 65	140 - 150

Dimensions

		SH250R	SH320R	SH490R	SH800R	SH1500R
A Jaw opening	mm	530	620	730	900	1.100
B Jaw depth	mm	570	640	760	890	1.100
C Length of shears	mm	2.700	2.975	3.450	3.980	4.800
Article number		2810.0040	2810.0041	2810.0042	2810.0039	2810.0029

Cutting capacity

			SH250R	SH320R	SH490R	SH800R	SH1500R
Rod	●	mm	65	80	100	140	165
Pipe	○	mm	254	324	406	610	813x20
IPE profile	┌─┐	mm	450	500	600	800	1.000
HEA profile	H	mm	280	340	400	700	800
HEB profile	H	mm	200	260	300	500	650
Plate	—	mm	15	20	25	30	38
L profile	L	mm	200x15	200x20	250x25	300x35	400x30



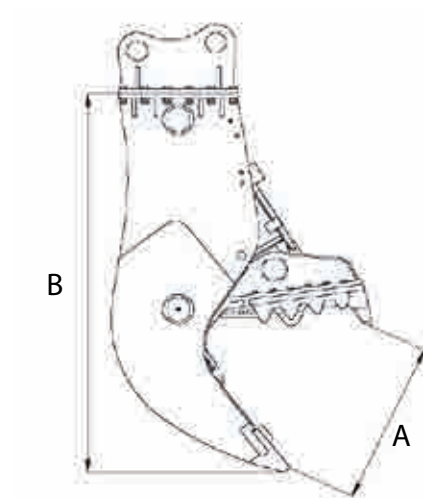
Fixed pulverisers

Thanks to the constant pinching energy combined with the high pinching frequency, all Dehaco pulverisers develop a remarkably high power, which means that they function better compared to similar machines. This optimum combination ensures permanent high performances, which means that even the most demanding tasks can be completed.

Fixed pulverisers are designed especially for secondary demolition and for pulverising rubble. The "IT" models have interchangeable tooth plates. Because the top and bottom tooth plates are separate and can be easily exchanged, the maintenance costs are lower.

There are two jaw configurations available: single-tooth for more penetration (CRP) and double-tooth for better crushing properties (PP). The pulverisers are supplied with a CRP tooth plate as standard.

The Speed Valve reduces closing time and boosts productivity.



Fixed Teeth

		MCP300	MCP480	MCP800	MCP910
Carrier weight class	t	2 - 4	5 - 10	18 - 27	28 - 38
Operational weight	kg	150	490	2.050	2.850
Operating pressure	bar	200 - 250	220 - 280	280 - 320	280 - 320
Oil flow	l/min	30 - 60	80 - 100	180 - 220	220 - 280

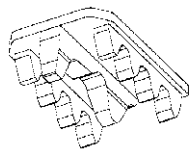
Dimensions

A Jaw opening	mm	300	480	850	1.000
B Height	mm	770	1.225	2.070	2.400
Article number		2010.0004	2010.0005	2010.0016	2010.0017



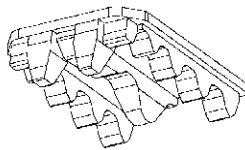
Interchangeable Teeth and Tooth Plates - 1 part

CRP tooth plate



Standard
MCP600-IT
MCP1000-IT

PP tooth plate



Option
MCP600-IT
MCP800-IT
MCP910-IT
MCP1000-IT
MCP1300-IT

Interchangeable Tooth Plates - 2 parts for maximum productivity



Standard
MCP800-IT
MCP910-IT



Option
MCP800-IT
MCP910-IT

Interchangeable teeth and tooth plates

		MCP600-IT	MCP800-IT	MCP910-IT	MCP1000-IT	MCP1300-IT
Carrier weight class	t	11 - 18	18 - 27	28 - 38	39 - 50	60 - 90
Operational weight	kg	1.050	2.200	3.100	4.200	8.000
Operating pressure	bar	280 - 320	280 - 320	280 - 320	280 - 320	320 - 350
Oil flow	l/min	100 - 180	180 - 220	220 - 280	280 - 320	500 - 600
CRP tooth plates		●	○	○	●	○
PP tooth plate 1 part		○	○	○	○	○
CRP tooth plates 2 part		-	■	■	-	-
PP tooth plates 2 part		-	□	□	-	-

Dimensions

		MCP600-IT	MCP800-IT	MCP910-IT	MCP1000-IT	MCP1300-IT
A Jaw opening	mm	620	830	1.000	1.150	1.300
B Height	mm	1.600	2.070	2.400	2.700	3.250
Article number		2010.0006	2010.0007	2010.0008	2010.0003	2010.0015

● Standard 1 part ○ Option 1 part ■ Standard 2 part □ Option 2 part

RP Rotating pulverisers

Rotating pulverisers are designed especially for secondary demolition and for pulverising rubble. The "IT" models have interchangeable tooth plates that can also be ordered separately. This means that you can save on maintenance costs and that they can be changed more quickly!

There are two jaw configurations available: single-tooth for more penetration (CRP) and double-tooth for better crushing properties (PP). The pulverisers are supplied with a CRP tooth plate as standard.

The Speed Valve reduces closing time and boosts productivity.



Fixed Teeth		RP07	RP16	RP18	RP25
Carrier weight class	t	7 - 10	16 - 20	21 - 26	27 - 35
Operational weight	kg	660	1.720	2.000	2.750
Operating pressure	bar	220 - 280	300 - 350	300 - 350	300 - 350
Oil flow	l/min	90 - 120	180 - 200	180 - 200	200 - 220

Dimensions

A Jaw opening	mm	500	700	760	930
B Height	mm	1.560	2.020	2.136	2.440
Article number		2010.0011	2010.0008	2010.0003	2010.0009

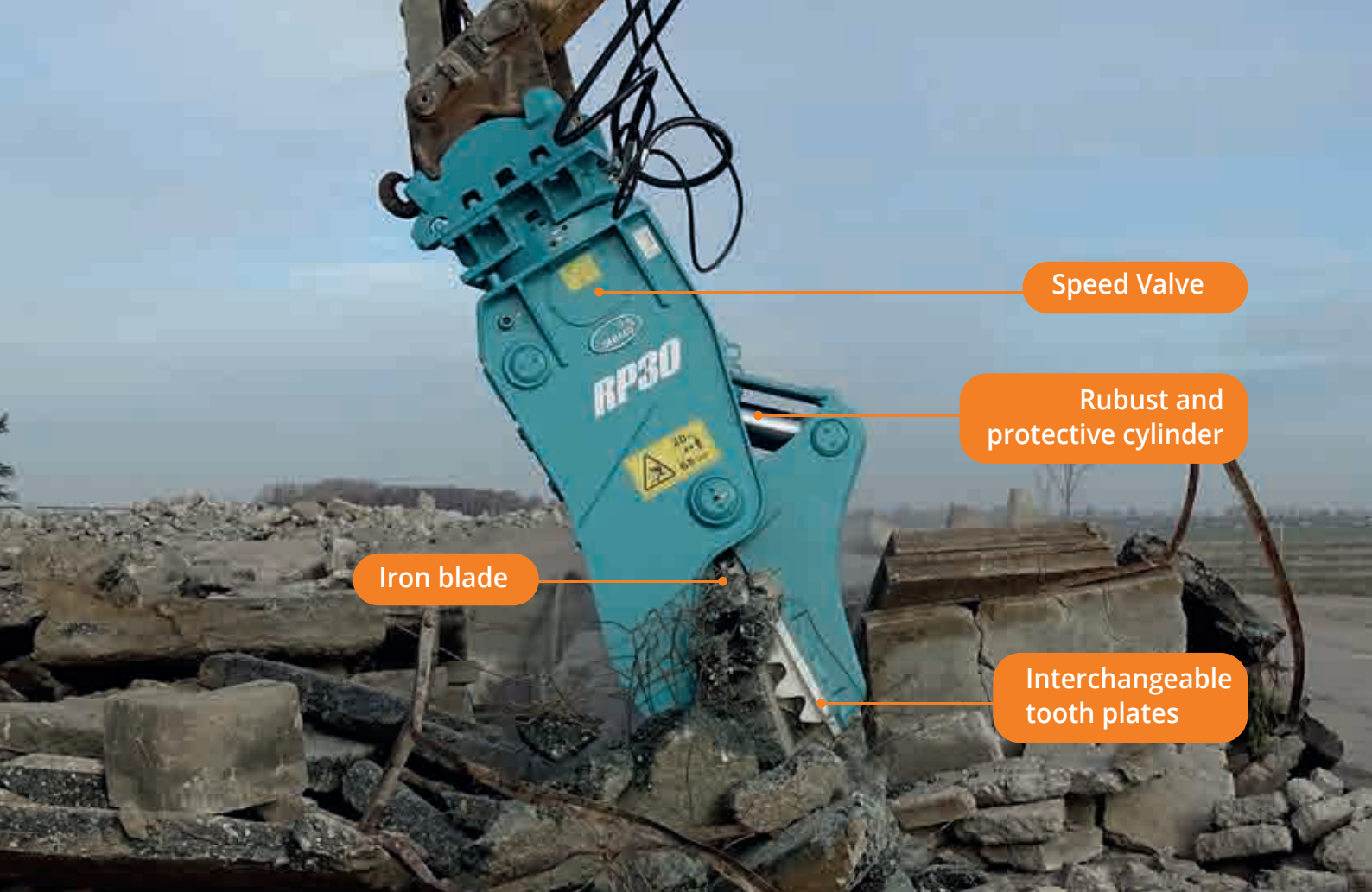
Interchangeable Teeth and Tooth Plates

		RP10-IT	RP16-IT	RP20-IT	RP30-IT	RP40-IT	RP50-IT	RP80-IT
Carrier weight class	t	10 - 15	16 - 20	21 - 26	27 - 35	35 - 50	50 - 65	70 - 95
Operational weight	kg	1.100	1.690	2.000	2.850	4.100	5.200	8.200
Operating pressure	bar	300 - 350	300 - 350	300 - 350	300 - 350	300 - 350	300 - 350	300 - 350
Oil flow	l/min	100 - 180	130 - 150	180 - 200	200 - 220	220 - 280	335 - 375	500 - 600
CRP tooth plates 2 part		●	●	●	●	●	-	-
PP tooth plates 2 part		○	○	○	○	○	-	-

Dimensions

A Jaw opening	mm	580	700	750	900	1.000	1.100	1.250
B Height	mm	1.710	2.150	2.130	2.400	2.780	3.000	3.600
Article number		2210.0001	2210.0012	2210.0002	2210.0004	2210.0006	2210.0005	2210.0007

● Standard ○ Option - Not available

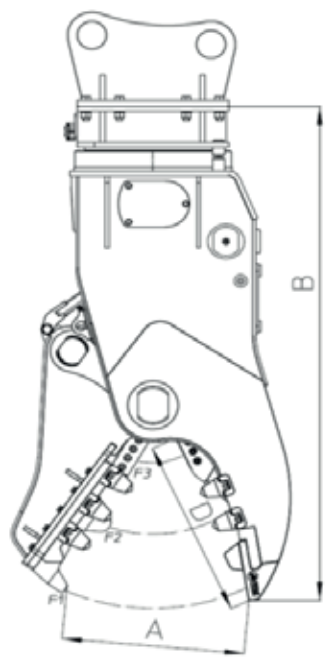


Speed Valve

Robust and protective cylinder

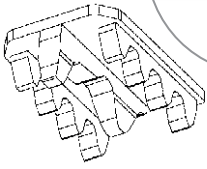
Iron blade

Interchangeable tooth plates



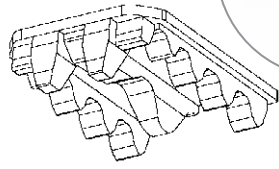
Interchangeable Teeth and Tooth Plates - 1 part

CRP tooth plate



RP50-IT
RP80-IT

PP tooth plate



RP50-IT
RP80-IT



RP10-IT
RP16-IT
RP20-IT
RP30-IT



RP40-IT
RP50-IT
RP80-IT

Interchangeable Tooth Plates - 2 parts for maximum productivity

RP10-IT - RP16-IT- RP20-IT - RP30-IT - RP40-IT

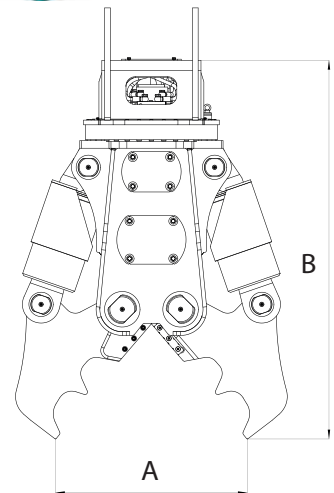


CR Crushers

Crushers are especially designed for primary demolition projects. The compact CR series makes it easy to demolish buildings and bridges. Thanks to their slimline design and 360° hydraulic rotation, these crushers can handle even the most complex projects. The iron blades at the back of the jaws are used to cut through the steel reinforcement in concrete.

The Speed Valve reduces closing time and boosts productivity.

New in this series is the CR-RE series. These are types with interchangeable teeth.



Mechanical Rotation		CR2	CR4	CR5
Carrier weight class	t	3 - 5	3 - 6	6 - 10
Operational weight	kg	240	320	530
Operating pressure	bar	180 - 220	250	200 - 250
Oil flow	l/min	30 - 50	65	50 - 90
Dimensions				
A Jaw opening (max/min)	mm	360/0	440/0	450/0
B Height	mm	1.070	1.070	1.290
Article number		2410.0004	2410.0047	2410.0017

Hydraulic Rotation		CR15R	CR20R	CR26R	CR40R	CR60R	CR80R	CR100R
Carrier weight class	t	16 - 20	21 - 26	27 - 35	45 - 55	60 - 70	75 - 95	100 - 120
Operational weight	kg	1.600	2.100	2.800	4.720	6.250	8.250	11.000
Operating pressure	bar	280 - 320	280 - 320	280 - 320	280 - 320	320 - 350	320 - 350	320 - 350
Oil flow	l/min	130 - 150	180 - 220	220 - 250	250 - 300	320 - 350	500 - 600	600 - 800
Dimensions								
A Jaw opening (max/min)	mm	800/0	1.050/0	1.100/0	1.350/0	1.580/0	1.800/0	2.050/0
B Height	mm	1.800	2.030	2.200	2.800	3.020	3.400	3.200
Article number		2410.0030	2410.0018	2410.0006	2410.0036	2410.0043	2410.0008	2410.0005

Hydraulic Rotation Interchangeable teeth		CR15RE	CR20RE	CR26RE	CR40RE	CR60RE
Article number		2410.0059	2410.0060	2410.0052	2410.0061	2410.0062





360° hydraulic rotation

Speed Valve

Protected cylinders

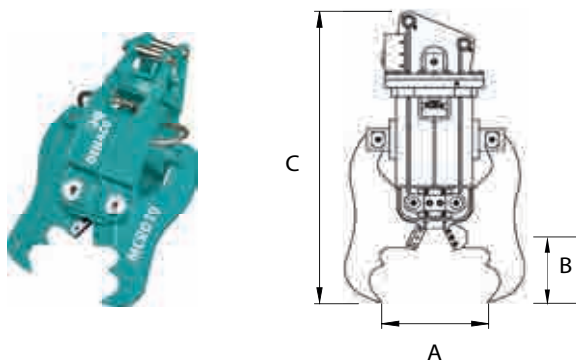
Interchangeable blades

Interchangeable teeth RE series

MCR Crushers

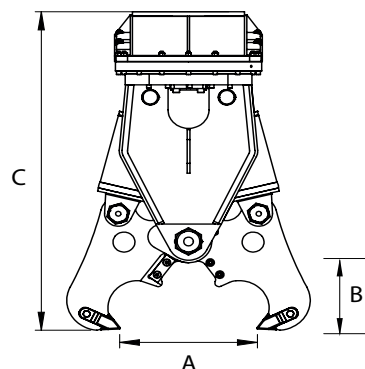
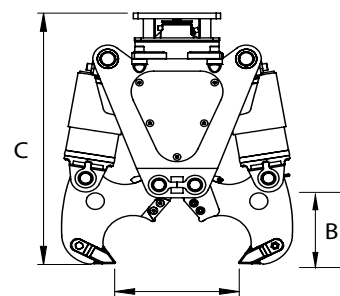
When choosing the right piece of equipment for demolition work, we must take size, cutting power, weight and jaw opening into account, to make sure that the tool is suitable for the work to be carried out. As Dehaco has shown with the MCR crushers: size does not matter. Cutting concrete with or without reinforcement is no challenge for these crushers.

MCR Crushers can be used for a varied range of demolition work. Indoors or outdoors, from small to medium scale. These crushers are easy to use, have a strong design, are light in weight and are reliable. Ideal for mini and midi excavators.



Mechanical Rotation		MCR010	MCR020
Carrier weight class	t	0,7 - 2	1,5 - 3
Operational weight	kg	0	0
Standard weight	kg	105	180
Operating pressure	bar	210	210
Max. Operating pressure rot.	bar	-	-
Oil flow	l/min	15 - 35	20 - 45
Oil flow roteren	l/min	-	-
Force at blade	ton	-	-
Force at tips	ton	20	22

Dimensions			
A Jaw opening	mm	280	360
B Jaw depth	mm	220	270
C Height	mm	260	290
Article number		2410.0001	2410.0002





Protective cover

360° hydraulic rotation

Protected cylinders

Interchangeable blades

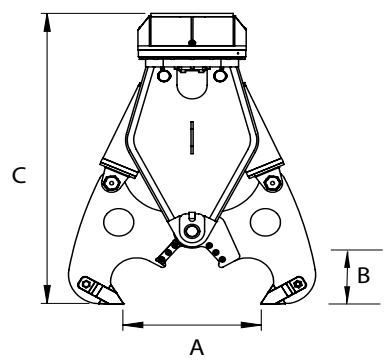
Interchangeable teeth

Mechanical Rotation

		MCR350	MCR650	MCR950
Carrier weight class	t	2 - 4	5 - 14	9 - 16
Operational weight	kg	320	630	920
Standard weight	kg	290	570	725
Operating pressure	bar	250	350	350
Max. Operating pressure rot.	bar	200	210	210
Oil flow	l/min	50 - 90	90-180	90-180
Oil flow roteren	l/min	25	25	25
Force at blade	ton	100	120	240
Force at tips	ton	32	47	65

Dimensions

A Jaw opening	mm	415	500	690
B Jaw depth	mm	220	270	330
C Height	mm	915	1.270	1.585
Article number		2410.0041	2410.0040	2410.0045



CC Combi Crushers

The CC Combi Crushers were designed to cut both concrete and steel. This unique combination ensures that buildings with both a lot of reinforced concrete and metal structures are easily demolished.

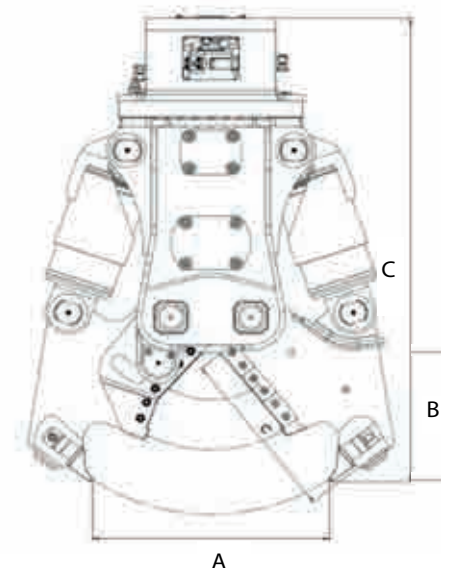
Features

- The combination of powerful cylinders and the double pin system provides a huge breaking and cutting power.
- The unique design features shear blades that, together with the cutting guide, provide incredible cutting power.
- Exchangeable teeth and blades make maintenance work easy and fast. In this way, the piece of equipment is kept in optimum condition.
- The "Speed Valve" reduces closing time and boosts productivity.



Mechanical Rotation		CC25R	CC35R	CC65R	CC90R
Carrier weight class	t	25 - 30	30 - 40	60 - 70	75 - 95
Operational weight	kg	2.500	3.500	6.650	9.600
Operating pressure	bar	320 - 350	320 - 350	320 - 350	320 - 350
Oil flow	l/min	180 - 220	280 - 300	500 - 600	600-700
Force at blade	ton	218	233	423	430
Force at tips	ton	91	101	183	205

Dimensions		CC25R	CC35R	CC65R	CC90R
A Jaw opening	mm	1.000	1.100	1.525	1.750
B Jaw depth	mm	760	830	1.035	1.280
C Height	mm	1.960	2.270	3.000	3.360
Article number		2410.0054	2410.0051	2410.0055	2410.0058





360° hydraulic rotation

Powerful cylinders
double pin system

Speed Valve

Interchangeable blades

Interchangeable teeth

MS Multi Systems






Different jaw sets mean that this multi system can be used as a crusher, pulveriser, scrap shears, combi shears or plate shears.

The design has been kept compact and slim in order to provide optimum visibility. The machine's 360° hydraulic rotation makes accurate positioning simple and easy. The double cylinders centre the shears and produce less torque in the jib and less load on the slewing ring of the shears.

The Speed Valve reduces closing time and boosts productivity.



		MS09R	MS15R	MS22R	MS28R	MS50R	MS140R
Carrier weight class (bucket position)	t	10 - 15	16 - 20	21 - 27	28 - 40	45 - 55	120 - 160
Carrier weight class (stick mounted)	t	7 - 10	10 - 15	12 - 18	15 - 24	28 - 38	80 - 120
Operating pressure	bar	300 - 320	320 - 350	320 - 350	320 - 350	320 - 350	320 - 350
Oil flow	l/min	90 - 120	130 - 150	180 - 220	220 - 250	250 - 300	700 - 1000
Article number		2610.0013	2610.0020	2410.0005	2610.0055	2610.0061	2610.0003

MS + CR jawset 	Weight incl. top bracket	kg	950	1.650	2.210	2.900	5.080	14.000
	Cutting force	t	140	190	272	315	406	1.165
	Jaw opening	mm	650	750	890	975	1.200	2.500
	Height	mm	1.550	1.860	1.980	2.180	2.940	4.300
MS + CP jawset 	Weight incl. top bracket	kg	1.015	1.700	2.250	3.120	5.450	14.000
	Cutting force	t	133	188	270	311	431	-
	Jaw opening	mm	565	650	780	875	1.000	2.300
	Height	mm	1.485	1.830	1.955	2.180	2.870	4.300
MS + SH jawset 	Weight incl. top bracket	kg	950	1.700	2.200	2.950	4.930	14.000
	Cutting force	t	425	630	874	976	1.302	3.400
	Jaw opening	mm	275	330	460	550	630	1.150
	Height	mm	1.415	1.800	1.995	2.185	2.945	4.150
MS + CC jawset 	Weight incl. top bracket	kg	980	1.700	2.235	3.000	5.280	-
	Cutting force	t	114	195	229	267	320	-
	Jaw opening	mm	585	700	830	875	1.100	-
	Height	mm	1.500	1.860	2.020	2.170	3.040	-
MS + PSH jawset 	Weight incl. top bracket	kg	-	-	2.070	2.700	4.300	-
	Cutting force	t	-	-	1.016	1.015	1.250	-
	Jaw opening	mm	-	-	300	310	360	-
	Height	mm	-	-	1.895	2.000	2.760	-



360° hydraulic rotation

Double cylinders

Speed Valve

Interchangeable blades

Cutting capacity with SH-jawset

			MS09R	MS15R	MS22R	MS28R	MS50R	MS140R
Rod	●	mm	40	45	55	65	80	180
Pipe	○	mm	-	-	-	-	-	600x20
IPE profile	⌌	mm	180	200	250	360	450	1.000
HEA profile	H	mm	120	140	160	220	320	700
Plate	—	mm	8	10	12	15	18	40
L profile	L	mm	-	-	-	-	50x150x150	500x500x25

Cutting capacity with PSH-jawset

Plate	—	mm	-	-	15	20	25	-
-------	---	----	---	---	----	----	----	---

Dehaco Products



For more information contact your dealer:



Copyright 2022, Dehaco B.V.

Dehaco reserves the right to develop and alter products without further notice.
Misprints and printing errors reserved.
The colour of the products may vary slightly from those shown in this brochure.



EN/Div. Shears /2022-10